

ROUGH TERRAIN ARTICULATING BOOMS



HA100JRT

Outstanding rough terrain driving features

- 4 wheel drive and 4 wheel steer
- Oscillating axle
- Differential wheel lock
- Ground clearance of 15 in
- Full proportional controls and simultaneous boom functions

Optimal productivity

- Tightest turning radius on the market
- 70 ft 3 in of horizontal outreach
- Unrestricted working envelope



RK ELEVACIONES SRL

CASA CENTRAL
BUENOS AIRES - ESCOBAR
(0348) 4436600

SUCURSAL MENDOZA
ZONA CUYO - MAIPU
(0261) 6217444

contacto@rkelevaciones.com.ar
www.rkelevaciones.com.ar



HA100JRT

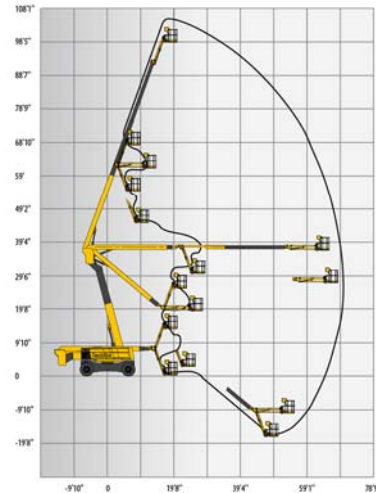
ROUGH TERRAIN ARTICULATING BOOMS



TECHNICAL DATA

HA100 JRT

Working height	103 ft 9 in
Platform height	97 ft 9 in
Horizontal outreach	70 ft 3 in
Up and over height	37 ft 3 in
Lift capacity	550 lbs
F x G Platform size	8 ft x 2 ft 7 in
A Length	37 ft 5 in
H Transport length	29 ft 2 in
B Width	8 ft 4 in
Width - with extended axles	10 ft 10 in
C Height - stowed	9 ft 2 in
Transport height	11 ft
Vertical jib rotation	140° (+70/-70)
Platform rotation	174° (+87/-87)
Turntable rotation	360°
Tailswing	10 ft 10 in
D Wheelbase	11 ft 6 in
E Ground clearance	15 in
Drive speed	0.3 - 3.1 mph
Gradeability	45 %
Outside turning radius – axles extended	18 ft 10 in
Outside turning radius – axles retracted	16 ft 8 in
Tires	445/65-22.5
Engine	62.4 kW / 84.9 hp
Weight	44,321 lbs

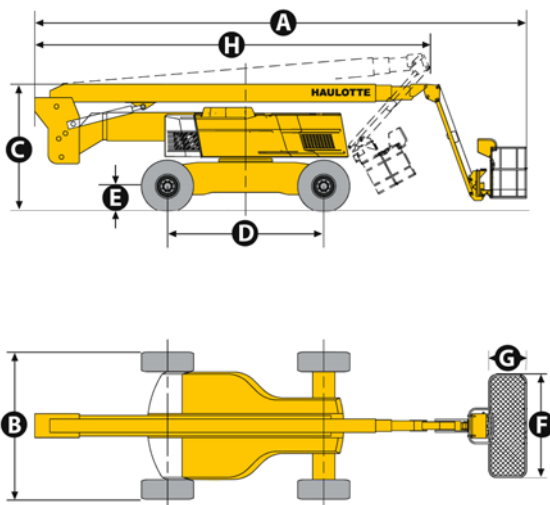


STANDARD EQUIPMENT

- ③ 4 wheel drive and 4 wheel steer
- ③ Front oscillating axle
- ③ 2 extendable axles
- ③ Differential wheel lock
- ③ Fully proportional controls
- ③ 4 simultaneous movements
- ③ 550 lbs (2 persons) load capacity unrestricted working envelope
- ③ 8' platform
- ③ AC power to the platform
- ③ Rotating engine tray
- ③ Safe to use in winds up to 37mph
- ③ Tilt/load alarm and light
- ③ Electric pump system and emergency descent
- ③ 12 V battery / electrical control system
- ③ Tow hooks and lift hooks
- ③ Hour meter
- ③ Low fuel level indicator (upper control box)
- ③ Engine pre-heat system
- ③ Foam-filled rough terrain tires
- ③ Electric horn
- ③ Hydrostatic transmission
- ③ Swing lockpin for transport

OPTIONS AND ACCESSORIES

- ③ AC generator 110V / 3kW
- ③ Hydraulic oil cooler
- ③ Hydraulic oil in tank and circuit for warm countries
- ③ Biodegradable hydraulic oil
- ③ Automatic Overspeed Air Shutdown Valve (Electric one-way valve, flame arrester, spark arrester)
- ③ Arctic package (consult factory)
- ③ Air line to platform
- ③ Upper control box protection cover (transparent plastic and fixed place)
- ③ Battery cut-off
- ③ Travel alarm
- ③ Alarm package (motion alarm)
- ③ 55W Platform worklight
- ③ Flashing beacon



RK ELEVACIONES SRL

CASA CENTRAL
BUENOS AIRES - ESCOBAR
(0348) 4436600

SUCURSAL MENDOZA
ZONA CUYO - MAIPU
(0261) 6217444

contacto@rkelevaciones.com.ar
www.rkelevaciones.com.ar