



## SJ63 AJ

# ARTICULATING BOOM

### STANDARD FEATURES

- Axle based 4WD system
- Operator controlled locking rear differential and limited slip front differential
- Oscillating axle
- Drivable at full height
- 360° Continuous turret rotation
- 45% Gradeability
- Deutz TD2.9L4 diesel engine or Kubota WG2503 dual fuel engine
- Swing out engine tray
- Swing up cowlings
- Modular platform railing system
- Tri-entry sliding mid-rails
- 110V AC Outlet on platform with GFI
- EASYDRIVE™ direction sensing drive and steer controls
- SKYRISER™ true vertical rise
- SPEEDYREACH™ functionality
- Proportional controls
- Relay based control system
- SKYCODED™ color coded and numbered wiring system
- Hourmeter
- Operator horn
- All motion alarm
- Tie down/lifting lugs
- Wet disc SAHR brakes (front and rear axle)
- 10.5 x 17.5 Grip lug air-filled tires
- Telematics ready
- 2 Year Gold Leaf Warranty (5 year structural warranty)

### TIRE OPTIONS

- Grip lug air-filled non-marking tires
- Grip lug foam-filled non marking tires
- Grip lug foam-filled tires
- High flotation air-filled tires

### ACCESSORIES AND OPTIONS

- 32 x 72" Platform
- Perkins 404F-E22TA diesel engine
- 3.5 kW Generator (includes hydraulic oil cooler)
- Welder ready package (includes 12 kW generator, hydraulic oil cooler, 3 phase power connection in platform, and welder mount.)
- Welder package (includes 12 kW generator, hydraulic oil cooler, 3 phase power connection in platform, welder mount and Lincoln V275-S welder)
- Cold weather start kit (Recommended for regions where average monthly low temperatures can reach 14°F / -10°C (Includes cold start engine oil, battery blanket, hydraulic tank heater, and engine load kit (Deutz TD2.9L4))
- Arctic weather package (Recommended for regions where average monthly low temperatures can reach -0.4°F / -18°C (Includes arctic engine oil, battery blanket, hydraulic tank heater, engine load kit (Deutz TD2.9L4), block heater, arctic hydraulic oil, arctic platform rotator and arctic gear oil in the axles and swing drive glow plugs, arctic hydraulic hoses (all), and oversized foot switch cover are also included (standard equipment).)
- Extra propane tank and bracket (dual fuel only)
- Hydraulic oil cooler
- Flashing light
- 1/2" Airline to platform
- Positive air shut-off valve
- Non destructive testing
- Glazier kit
- Hostile environment package (Includes cylinder bellows, boom wipers, covers for the fly boom cutouts, and control box cover)
- Auxiliary top rail (36 x 96" platform only)
- Side gate
- Control box cover
- Bio oil
- Pipe rack
- Tool caddy
- Secondary guarding (electrical or mechanical)
- Platform work lights
- ELEVATE telematics
- Warranty options (3 year or 5 year plans available)

## RK ELEVACIONES SRL

CASA CENTRAL  
BUENOS AIRES - ESCOBAR  
(0348) 4436600

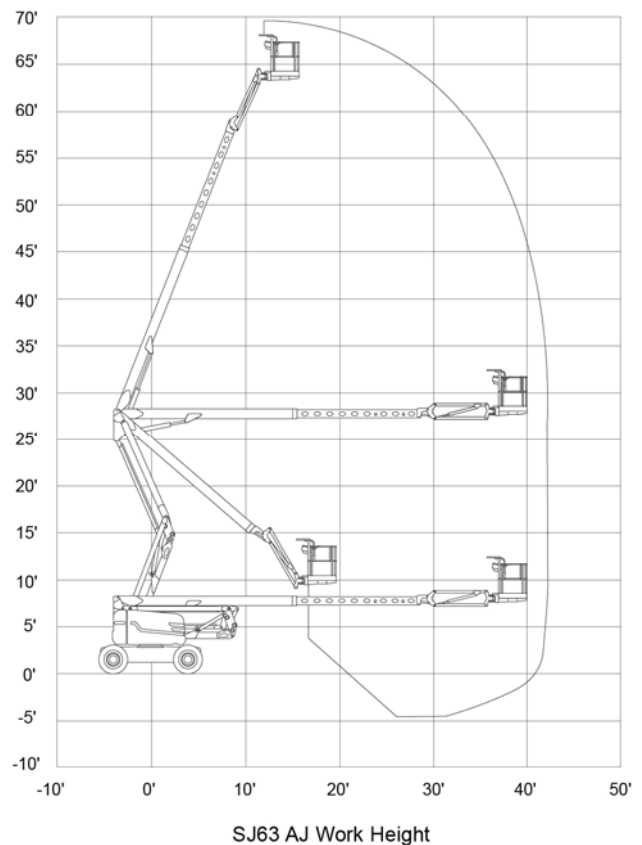
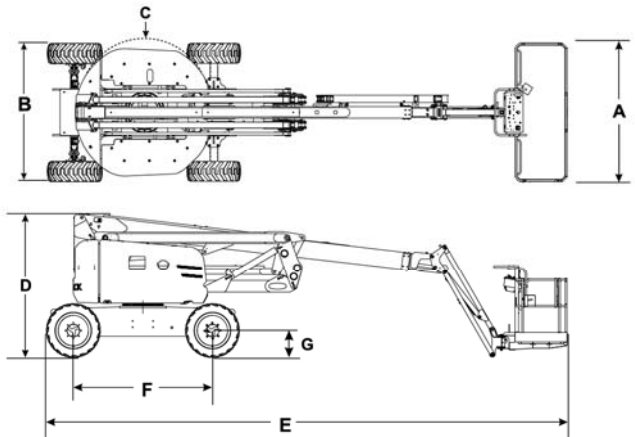
SUCURSAL MENDOZA  
ZONA CUYO - MAIPU  
(0261) 6217444

[contacto@rkelevaciones.com.ar](mailto:contacto@rkelevaciones.com.ar)  
[www.rkelevaciones.com.ar](http://www.rkelevaciones.com.ar)

## SJ63 AJ ARTICULATING BOOM

Dimensions	SJ63 AJ
Work Height	69'7" (21.21 m)
Platform Height	63'7" (19.38 m)
Horizontal Reach	40' (12.19 m)
Up and Over Height	27'6" (8.38 m)
<b>A</b> Platform Size	36" x 96" (0.91 x 2.4 m)
<b>B</b> Stowed Width	96" (2.44 m)
<b>C</b> Tailswing	Zero
<b>D</b> Stowed Height	100" (2.54 m)
<b>E</b> Stowed Length	30' (9.14 m)
<b>F</b> Wheelbase	8' (2.44 m)
<b>G</b> Ground Clearance	13" (0.33 m)

Specifications	SJ63 AJ
Rotation	360°
Platform Rotation	170°
Jib Length	5' 6" (1.68 m)
Jib Range +/-	+65° / -60°
Weight	21,200 lbs (9,616 kg)
Gradeability	45%
Turning Radius (Inside)	7'3" (2.21 m)
Turning Radius (Outside)	17'5" (5.31 m)
Axle Oscillation	4" (10.16 m)
Drive Speed (High speed)	4.5 mph (7.3 km/h)
Capacity	500 lbs (227 kg)
Local Floor Load ( With Rated Load)	167 psi (1,151 kPa)
Overall Floor Load (With Rated Load)	245 psf (11.73 kPa)
Maximum # of Persons	2
Tire Type	Grip lug air-filled
Tire Size	10.5 x 17.5
Diesel Engine	74 HP
Dual Fuel Engine	61 HP
Fuel Tank Capacity	30.4 gal. (115L)
Hydraulic Reservoir	30.4 gal. (115L)



### RK ELEVACIONES SRL

CASA CENTRAL  
BUENOS AIRES - ESCOBAR  
(0348) 4436600

SUCURSAL MENDOZA  
ZONA CUYO - MAIPU  
(0261) 6217444

contacto@rkelevaciones.com.ar  
www.rkelevaciones.com.ar